



The new ESE 8

RD 8000





Inventive talent and
technical know how is
what drives us.

Vision and reality

From concept to production-ready product.

As an innovator in the field of mobile suction technology, RSP is expanding its range of proven suction excavator vehicles with the addition of a new model family, the first member of which is the ESE 8 RD 8000.

The new model series incorporates a host of improvements, developed as a result of our 23 years of experience in the manufacture of suction excavators and the close working relationship we enjoy with our customers.

We see innovation as a duty to our customers. By offering them the latest and most effective technology every time, they, in turn, can gain a competitive edge in their own sector.

„Since the ESE model series was originally developed 17 years ago, we have worked continuously to improve and optimise the product. It's now time to bring all our experiences, test results and innovations together in the form of a new product family.“

Jens Graber - Managing Director
RSP Development / Production

„We have created a new innovative range of products which focuses sharply on the needs of our customers. The new ESE 8 RD 8000 stands out not just because of its functional design, but because of its many new technical features“

Karl-Heinz Renger - Managing Director
RSP Sales / Service



Design and function

Love at first sight.

The elegant yet functional design of the ESE 8 RD 8000 undoubtedly makes it a winner. The symmetrical superstructure ensures optimum weight distribution and now provides our customers with even more stowage space for optional accessories.

The new-design, generously spacious stainless steel stowage compartments located on both sides are a much-appreciated feature out in the field. They are equipped with door closure systems designed for easy opening and improved access.

The entirely new cooling concept is incorporated into the top of the hose rack, itself a tried-and-trusted feature located behind the driver's cab with access from both sides.

There are also two dedicated compartments above the stainless steel stowage compartments which provide accommodation for two additional hose extensions.

Thanks to a structurally optimised chassis and the use of innovative materials, the gross weight of the machine has been reduced by approx. 1 t. This means our customers now have 1 t more payload capacity at their disposal without exceeding the permissible gross weight.

By working closely with prestigious technical universities and using FEM multi-phase flow simulation, we have succeeded in optimising air guidance throughout the entire suction system. This improvement has a positive effect on fuel consumption.

The new filters for RSP suction excavators ensure that clean air is returned to the environment. The filter material eliminates the need for support cages. This innovation minimises system flow losses and improves cleaning of the individual filter cartridges. The result is a significant reduction in maintenance and service costs.

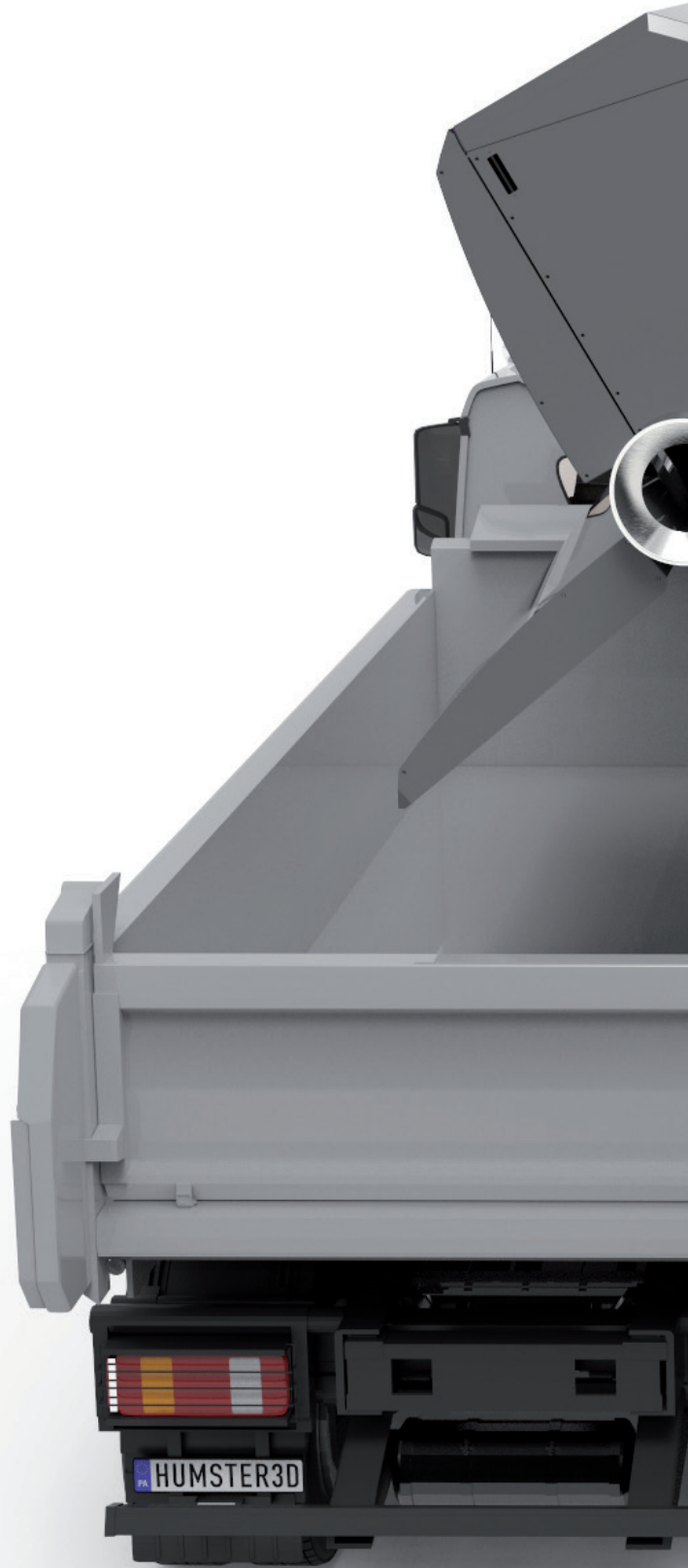
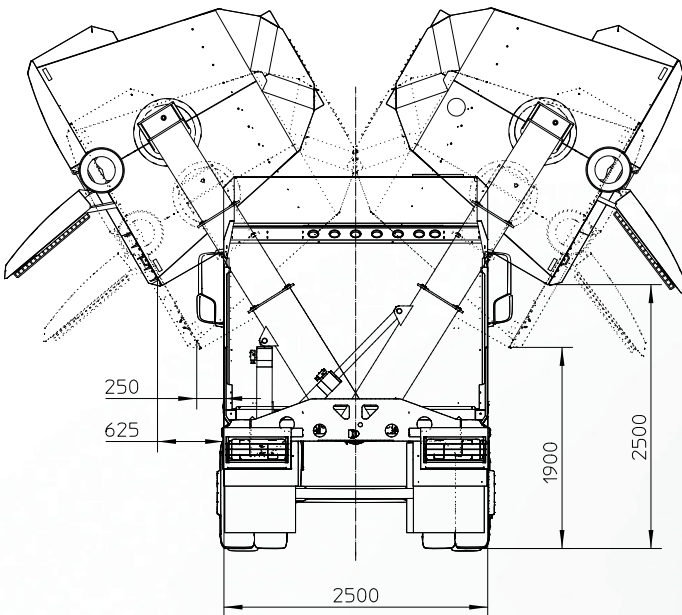
Flexible and variable

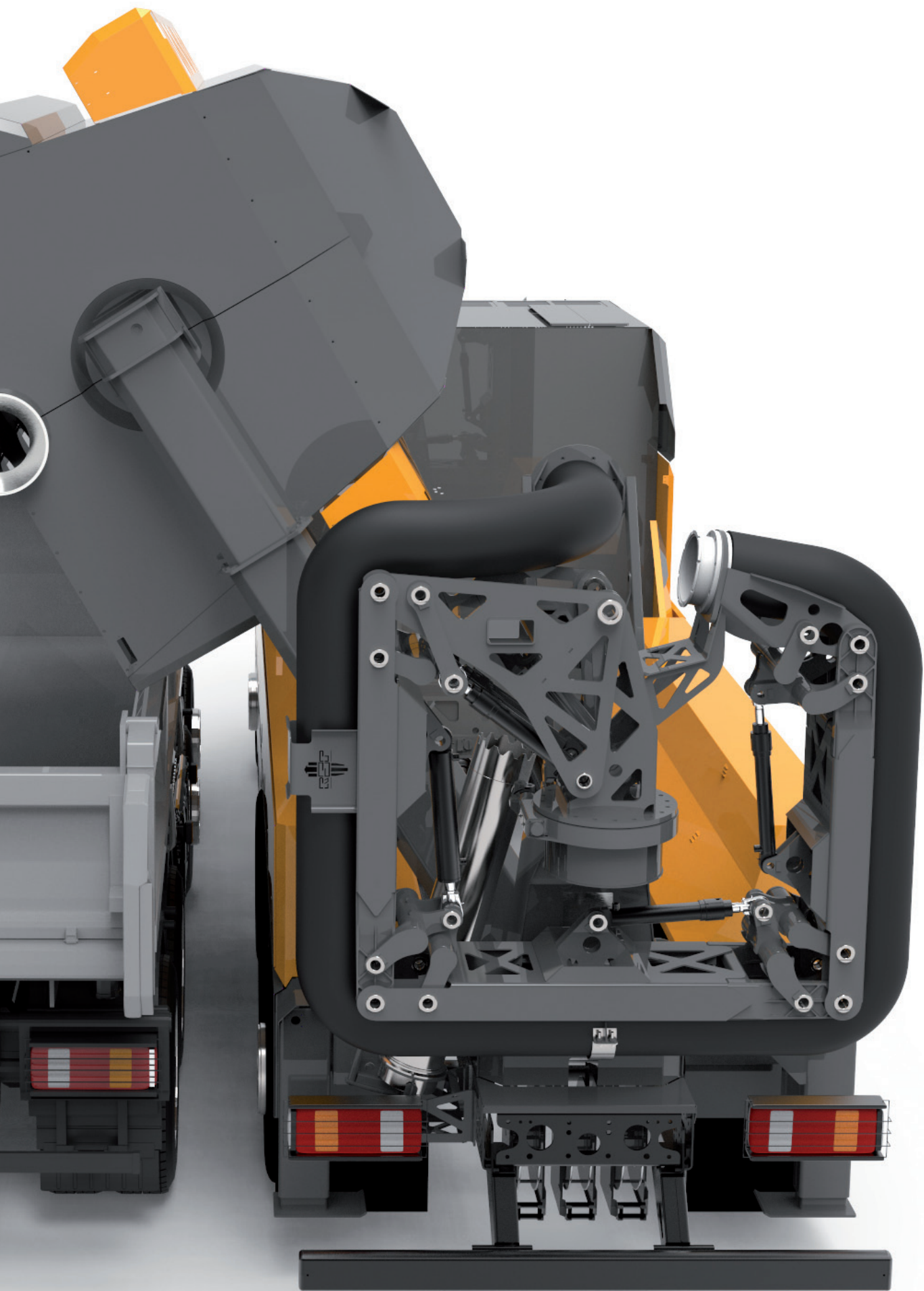
The only thing it can't do is fly.

Variable tilting heights, combined with container emptying from either side, give the ESE 8 RD 8000 a degree of flexibility previously unknown in suction excavators. Regardless of whether the container is being emptied into a storage area, a skip or onto a truck loading floor, it is possible to do so from either side and at various heights, increments and tilt angles.

The new central mounting system for the container and the four supports with automatic levelling system enable the container to be emptied from either side as required. The tilting height can be varied between 1.80 m and 2.50 m.

The ESE 8 RD 8000 is equipped with four stabilisers which are self-levelling at the press of a button to ensure an optimum emptying position at all times.





Operation and intelligence

One hand, five functions.

The RSP articulated hose carrier on the ESE 8 RD 8000 is a completely new design. In order to increase the working range whilst maintaining flexibility, the hose carrier has been given an additional joint and is now mounted in the centre at the rear of the machine. As a result, the working range of the hose carrier has increased by 20% and, for the first time on a suction excavator, is now also symmetrical.

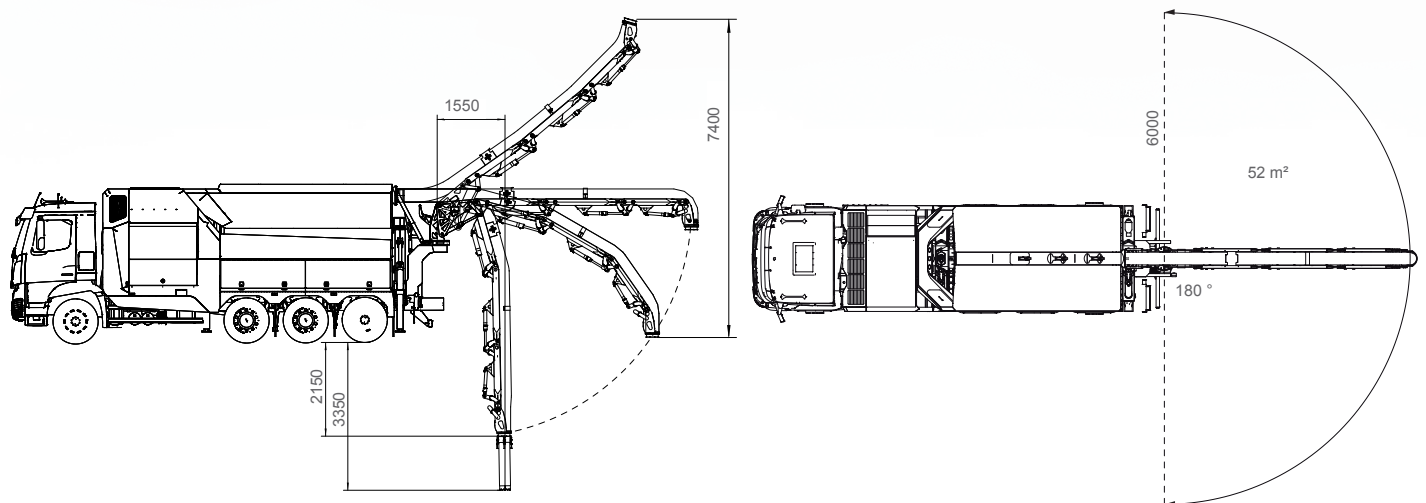
The entirely new RSP Smart Control is a high-tech control system offering an unprecedented level of precision. At the press of a button, RSP Smart Control automatically positions the RSP articulated hose carrier ready for work or transportation.

During horizontal and vertical movements, the position of the last boom arm along the respective axis is kept constant by automatically re-adjusting the other arms. As a result, the job gets done even more reliably and conveniently.

Our new safety-focused decentralised control system innovatively enhances both comfort and operational reliability. Greater ease of maintenance and controls right where the user needs them are just two of the excellent benefits offered by this decentralised concept.



The working range RSP articulated hose carrier





The electronic on-board information system has a large screen and allows to monitor all the machine's operating states with ease – either from the cockpit or from the rear when working.

It informs, records, controls and monitors to provides all the key data and parameters on the operating status of the ESE 8 RD 8000.

The RSP Telematics feature linked to the new control system allows you to get information on the current status of the vehicle either via the internet or an app.

The advantages are numerous and include more efficient job planning through GPS tracking, reduced fuel consumption through rotational speed monitoring and prevention of machine theft and misuse.



Facts and Figures

The ESE 8 RD 8000 at a glance.

Basic data

- Chassis Mercedes Benz Arocs
- Wheelbase 3,900 mm tridem
- Engine 375 kW/510 hp
- Vehicle width: 2,500 mm
- Gross vehicle weight 32,000 kg

Suction system superstructure

- Weight-optimised high-performance twin fan
- Symmetrical 8 m³ container – can be tilted on either sides for emptying – max. tilting height 2,500 mm
- Centrally mounted articulated hose carrier including 250 mm diameter suction hose
- Compressed-air system, max. 4.5 m³/min, 7 bar
- Filter system with 32 cartridge-type filters
- Safety-focused Smart Control control system
- Stowage compartments and hose racks on both sides

Optional equipment

- RSP Drive including RSS steering system
- High-pressure water system 160 bar, 25 l/min, 400 l tank
- Hose reels for oiled and un-oiled air
- Connections for external hydraulics
- RM Vario rotating module
- RSP Telematics

Your local partner:



Reschwitzer Saugbagger Produktions GmbH
Zum Silberstollen 10, 07318 Saalfeld
Phone +49 3671 5721-0
Fax +49 3671 5721-21
info@rsp-germany.com
www.rsp-germany.com

