

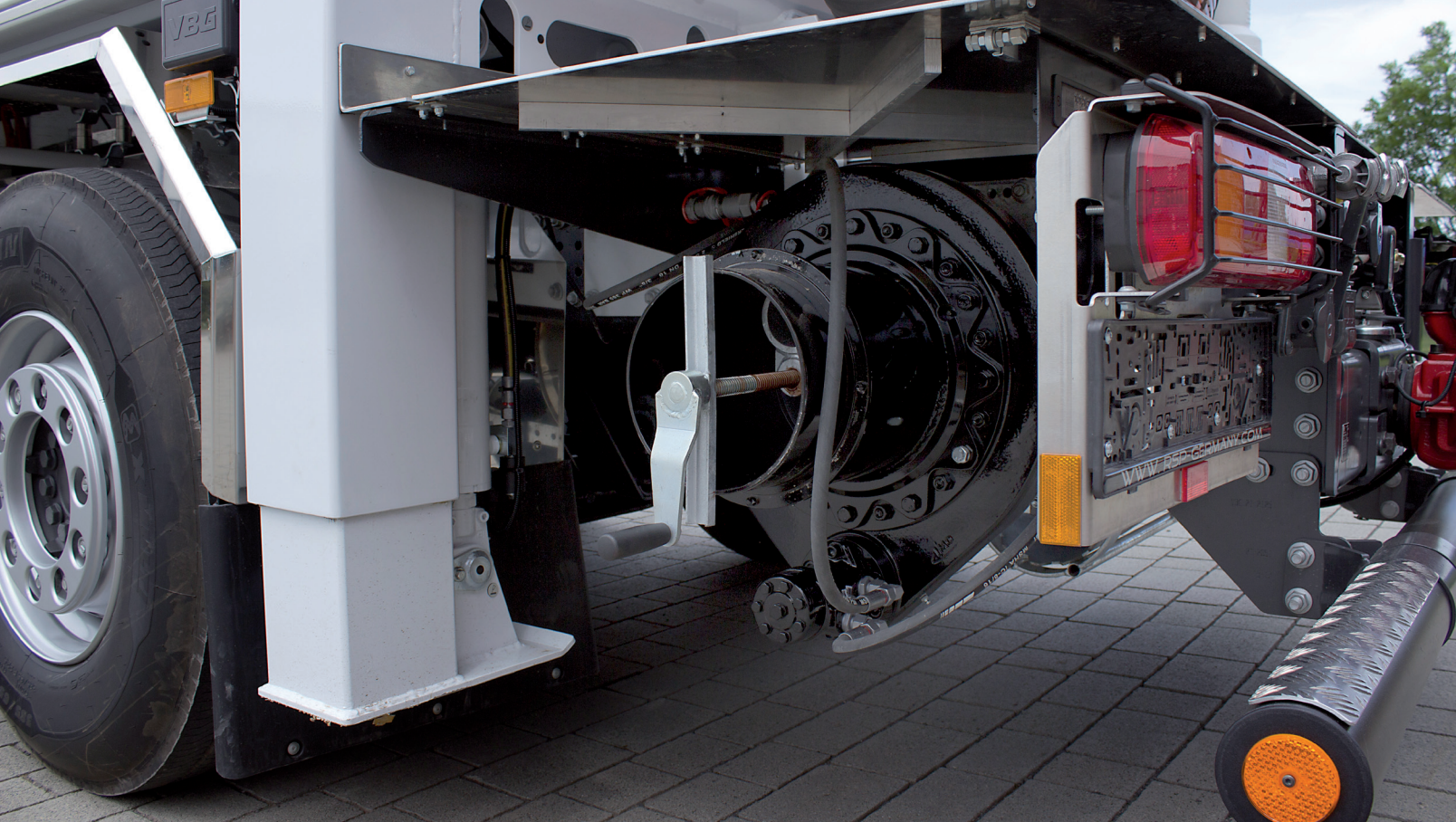


RSP Rotary Module

Work comfortably.



Accessories



Optimum functionality.

With its broad range of suction machines RSP is able to showcase perfect solutions for the most diverse excavation jobs. Sophisticated accessory equipment enables you to reach even greater productivity levels at sites where underground utilities etc. are not present.

RSP offers equipment you can rely on from the beginning to the end of your suction operations. All our products are designed to provide a maximum degree of flexibility in your applications. No matter which material has to be removed, be it sandy, loose, solid or muddy ground, water or other materials – RSP's accessory equipment lets your suction excavator realise its fullest potential and fulfil the most diverse job requirements.

Benefit from the unique combination of high-end features that have been designed with ultimate flexibility in mind. RSP always has the right accessories – for every machine, for every application, for every material to be removed, and for every requirement.

In every situation.

RSP's new rotary module is considerably smaller and lighter than the predecessor model. Thanks to its universal interface it can be attached to all suction excavators featuring hydraulically operated articulated hose carriers and clamp systems and therefore be used in all power classes.

The RM FIX module is firmly fixed to the hydraulically moved articulated hose carrier and remains on the carrier also in the transport position. The RM VARIO rotary module can be easily removed and stowed away in its transport bracket offering you flexibility in all types of applications, every day.



RM FIX & VARIO Rotary Modules Drive and control system.

RSP's rotary module has been specially designed for use on sites where underground cables and utilities are not present. It is an efficient tool for excavating building foundation footings.

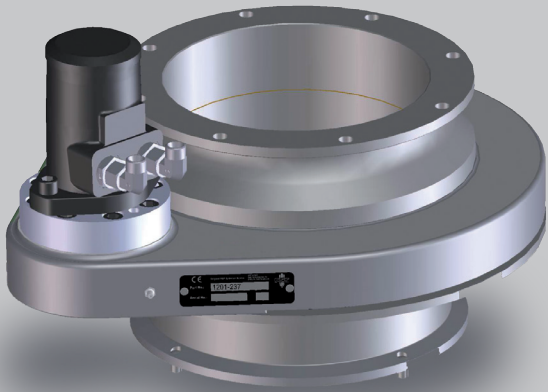
Connection to the various nozzles occurs through the standard clamp system. The module is available in two separate versions.

Numerous advantages

- suitable for all RSP suction excavators featuring hydraulically operated articulated suction hose
- quick installation
- clean and easy handling
- time and cost savings
- highest degree of flexibility
- higher resale value of your RSP machine

The hydraulically operated drive features high reliability and low maintenance requirements. A special-type overload protection ensures to safeguard against damage.

The drive runs at constant speed in clockwise and/or counterclockwise direction. All functions are remotely controlled from the machine via operator radio remote control.



RM FIX firmly installed.

The impressively low-weight RM FIX rotary module is tightly bolted to the articulated hose carrier so that you can activate the rotation function in an instant and immediately utilize the machine's performance potential to the full. Separate holders or connection clamps are not required.

Width	434 x 525 mm
Hose diameter	250 mm
Weight	72 kg
Torque	approx. 3750 Nm
Coupling	RSP clamp system

RM VARIO – the flexible one.

A clamp fixes the RM VARIO rotary module to the articulated hose carrier. It can be easily taken off and transported either on the hydraulically operated articulated hose carrier or in a separate bracket mount on the rear of the vehicle.

Depending on the suction application of your machine, you may combine the RM VARIO with further RSP accessories in order to cope with specific job demands.

Width	434 x 525 mm
Hose diameter	250 mm
Weight	76 kg
Torque	approx. 3750 Nm
Coupling	RSP clamp system

Your local dealer:

┌	┐
└	┘

Reschwitzer Saugbagger Produktions GmbH
 Zum Silberstollen 10, 07318 Saalfeld
 Phone +49 3671 5721-0
 Fax +49 3671 5721-21
info@rsp-germany.com
www.rsp-germany.com